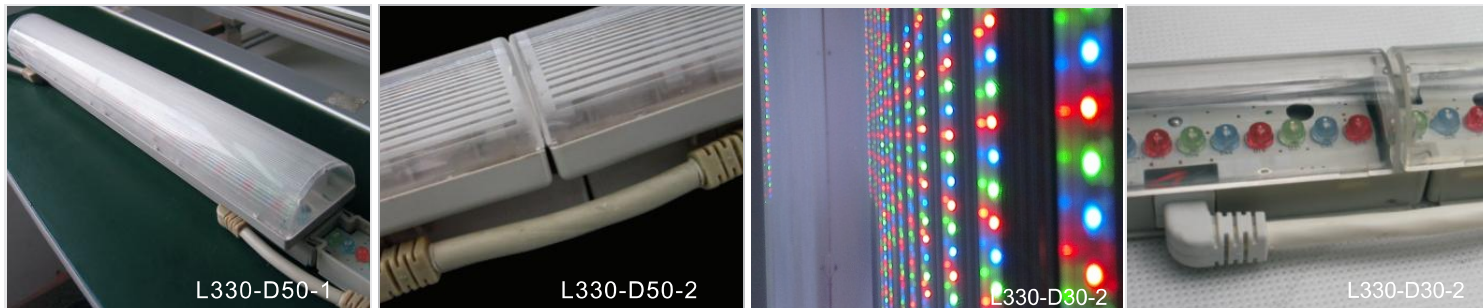


STRIP LIGHT

L330-D30、D50 >> Design handbook

Product Photo



Patent No.: 200920130949.8
200920130950.0

Specification of mode

| Model | Operating Voltage | Power Consumption | | LED QTY. | Light Intensity (mcd) | | | |
|----------|-------------------|-------------------|---------|-----------|-----------------------|-------|-------|-------|
| | | Average | Maximum | | RGB | W | Y | B |
| L330-D30 | DC12V | 7W | 12W | 15R15G15B | 30000 | 66000 | 13500 | 12700 |
| L330-D50 | DC12V | 7W | 12W | 15R15G15B | 30000 | 66000 | 13500 | 12700 |

light source parameter

1. Specification

| | |
|-----------|---|
| Color | 24-bit true color, that is 16777216 colors |
| Grayscale | 256 levels each RGB |
| Case | Flame-retardant PC (transparent, light gray, black and white optional) |
| Weight | D30:1000g ; D50:1200g |

2. Communication specification

| | |
|----------------|----------------------------|
| Category | 5 twisted pair data cable |
| Data Interface | 485 Differential Interface |

3. Electrical specifications

| | |
|-------------------|--------|
| Operating voltage | DC 12V |
|-------------------|--------|

4. Power supply specification

| | |
|--------|--|
| Type | Switching power supply |
| Input | AC90~264V, 47~63HZ |
| Output | DC 12V |
| Power | 25W-600W (the actual maximum output power supply |

| | |
|-------------|----------------------------------|
| rated power | 75%) 350W the most commonly used |
| Shell | Outdoor Waterproof shell |
| Certificate | 3C , CE |

5. Environmental requirement

| | |
|-----------------------|-----------------|
| Operating temperature | -20 °C to 50 °C |
| Storage temperature | -40 °C to 70 °C |
| Protection class | IP66 |

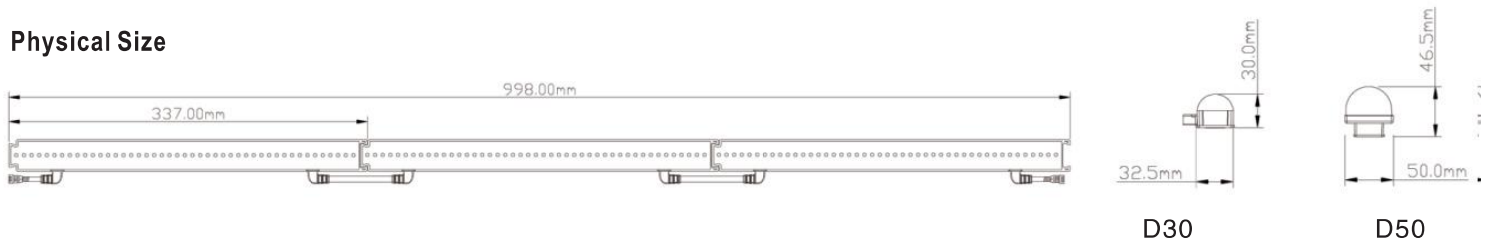
6. Life

| | |
|--------------|--|
| MTBF | =1 Million Hours |
| Note: | LED's luminous flux with time and decay characteristics, so the ultimate life of the product MTBF is not the only indicator. |

7. Light source LED Specification

| | |
|------------|---|
| Wavelength | 624nm±3nm, 525nm±3nm, 470nm±3nm |
| beam angle | Conventional 120° Special: 20°、90°、180° |

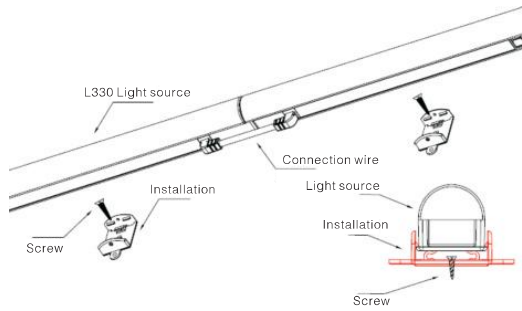
8. Physical Size



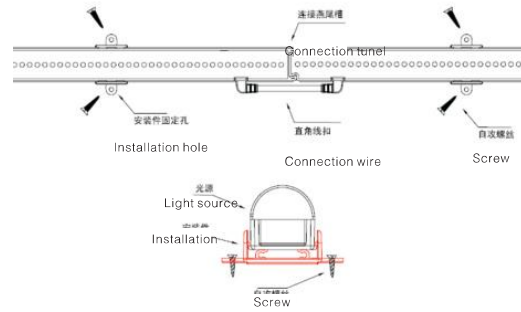
Installation

1、Installed in a fixed plane

A、 First, fixed fittings to install source.



B、 Light source and the fixed parts to install



2、 Pitch description: Products spacing can be customized, the minimum can be realized, "0" spacing, maximum 0.5 meters.

Luminous Efficiency / Effect Design

1. General effect: selection of 120 degrees straw hat lamp, so that viewing angle can reach 170 degrees around, and no restrictions on the direction. Used for general landscape lighting.

2. Large-screen effect: You can use 546 oval light, but should pay attention to viewing angle, about 120 degrees, 60 degrees up and down, brightness can theoretically be raised by 2 to accompany. Body used for floor screen, plug-in flexible display and other special items.

3. Wash the wall effect: To use 20 degrees bullet LED, 10CM within the pitch, can be realized band of light effects, wash the wall height of 30CM-200CM.

Spare parts list, size, accessories (Tian word lattice form)

Fittings、Screw、Stopper



Power System

1、 Power Specifications

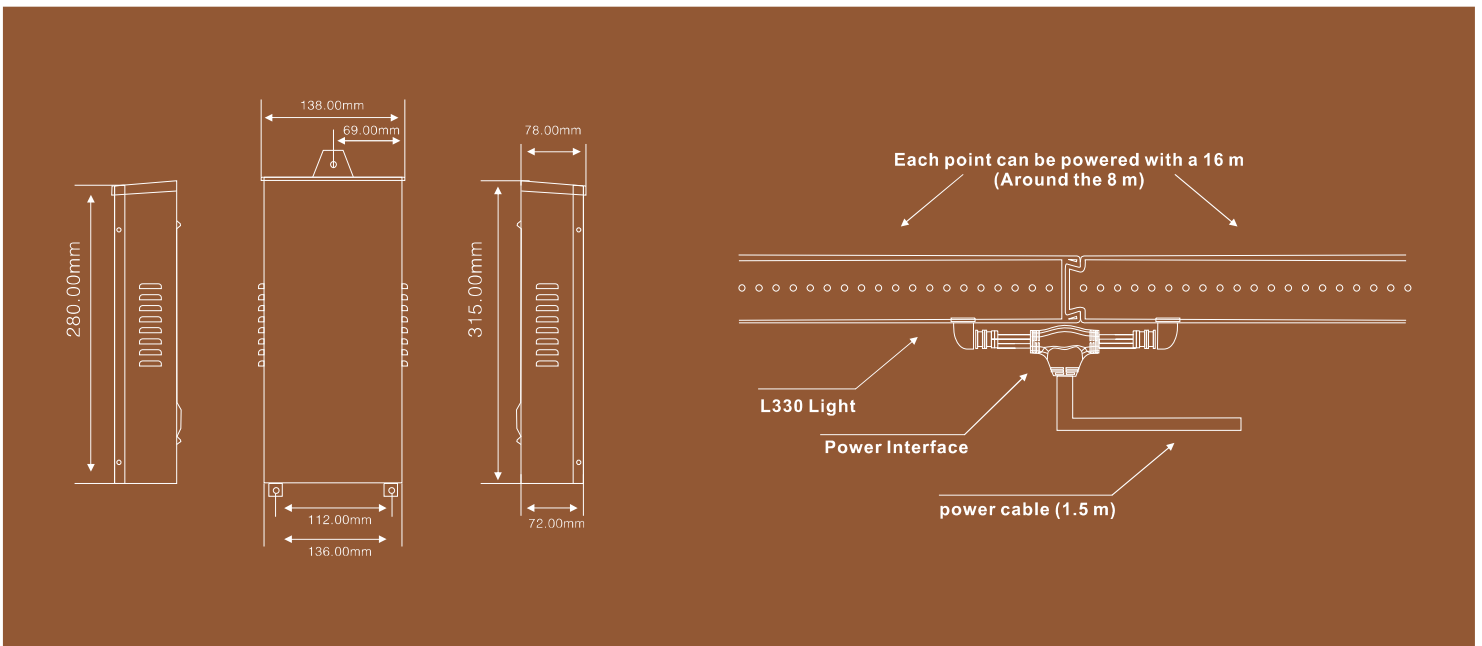
- [Http://meanwell.com.cn/ch_index.html](http://meanwell.com.cn/ch_index.html)
- [Http://www.hengfu.com](http://www.hengfu.com)

2、 Power waterproof, Thermal

3、 Controllable pitch single power point: (a larger loss of DC power, such as the voltage drop of more than controllable pitch is large, will lead to inconsistent brightness light source)

- 12V, single point power supply distance of 8 m

4、 Power connection: Intermediate Power



Control System

a) **Mizobe Effect:** CP1000, 1 port, control 68 meters; use of alternating current mining and frequency synchronization, control, cascade through the exchange of wires, the effect to replace use of SD cards.

b) **Screen Effect:** Cp8000, 8-port control of 68 meters, a total control of 544 meters. AC mining sub-ah-frequency synchronization, the controller cascaded through the exchange of wires, the effect to replace use of sd cards.

